



Application area

- Shipping
- Machinery construction
- Chemical and petrochemical industry
- General process technology

Technical data

Constructional design / case

Design:	High quality case with bajonet ring, material: stainless steel mat.-no. 1.4301 (304)
Nominal size:	NS 100 or NS 160
Degree of protection per EN 60529:	IP 66
Case filling:	Labofin Further filling liquids upon request.
Case seal:	Material gasket: NBR

Features

- High quality case with bajonet ring NS 100/160, degree of protection IP 66
- Nominal ranges -40 °C...700 °C, further nominal ranges from -200 °C...700 °C upon request
- Case and wetted parts of stainless steel
- Different connections can be supplied
- Temperature detecting element 6, 8 and ≥ 10 mm diameter
- Short immersion lengths of the temperature detecting element may be used
- Accuracy class 1 as per EN 13190
- Micro adjusting pointer for indication correction
- EAC declaration (upon request)

Options

- Approvals/Certificates
 - Explosion protection (ATEX) for mechanical devices
 - Certificate of measuring equipment for Russian Federation
 - Calibration certificate as per EN 10204
- Case with liquid filling
- Electronical angle-of-rotation sensor, Type series PL1100, see data sheet D6-020
- Connection to zone 0 with thermowells (upon request)

Application

These thermometers are suitable for use outdoors and in aggressive environments. The devices can also be supplied with additional liquid damping for use in extreme conditions. Suitable thermowells see product group T5.

Window:	Non-splintering laminated glass. Option: non-splintering plastic (Macrolon) with adjustable reference pointer
Movement:	Stainless steel with compensation
Scale:	Pure aluminium, white with black inscription. Alternatively with marking or fixed reference pointer.
Pointer:	Pure aluminium, black with micro adjustment for zero point correction

Weights:

Bottom or centre back connection

NS 100:	
without filling:	approx. 0.6 kg
with filling:	approx. 0.8 kg
NS 160:	
without filling:	approx. 1.1 kg
with filling:	approx. 1.9 kg

Adjustable angel stem

Without screwing and temperature detecting element

NS 100:	
without filling:	approx. 1.0 kg
with filling:	approx. 1.2 kg
NS 160:	
without filling:	approx. 1.4 kg
with filling:	approx. 2.0 kg

Process connection

- Design:
- rigid temperature detecting element, bottom connection.
 - rigid temperature detecting element, centre back connection.
 - rigid temperature detecting element, adjustable angle stem, latching every 20°.

Various process connections can be supplied (see order details).

Measuring element

Measuring element: Bourdon tube, dead zone free with noble gas filling.

Temperature sensor

Temperature-detecting element: Diameter 6, 8 and ≥ 10 mm. Standard lengths and active lengths see order details, further sizes upon request
Material: stainless steel mat.-no. 1.4404 (316L)

Nominal range

Nominal range (EN 13190): -40...700 °C
Measuring spans ≥ 60 °C, see order details
Further nominal ranges from -200 °C up to 700 °C (no normal range) upon request.

Accuracy

Accuracy class: 1.0 per EN 13190

Temperature ranges

Ambient: Per EN 13190.
Ambient temperatures that deviate from EN are to be specified.

Storage and transport: -20...60 °C
Further temperature ranges upon request.

Tests and certificates

Explosion protection: Ex- protection (ATEX) for mechanical devices
⊗ II 2G c TX
⊗ II 2D c TX

Further details and temperature limits see Ex Instruction XA_005.

- EAC declaration (upon request)
- Certificate of measuring equipment for Russian Federation

Instructions for use

The loading capacity of the temperature detecting element depends on the following parameters:

- Media
- Media pressure
- Media temperature
- Flow velocity
- Insertion length
- Material

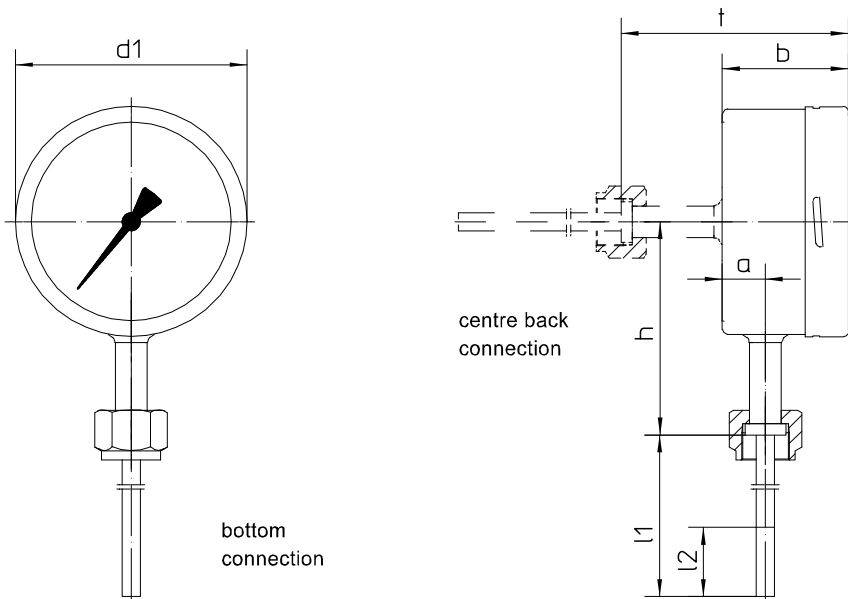
A technical examination might be necessary as well as the use of a separate thermowell (Product group D5).

Information on other models see order details or upon request.

Further information to mounting and operation see Operating Instruction BA_017.

Dimensions

Dimensions bottom and centre back connection

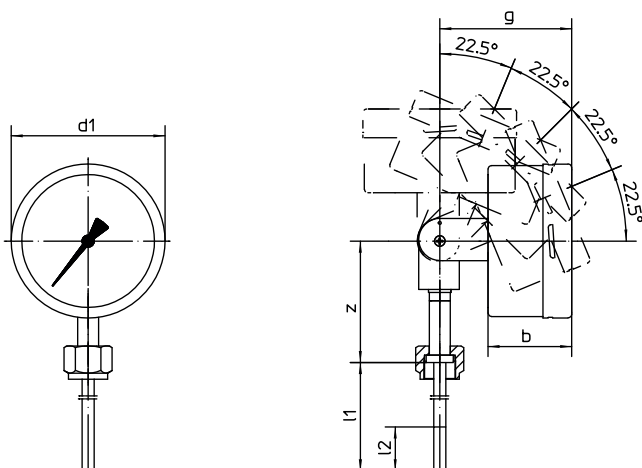


Temperature detecting element diameter d_5 , insertion length l_1 and active length l_2 see order details.

Dimensions (mm)														
				h^*	see order details					t^*	see order details			
case	d_1	b	a	D1001	D1107/1109/1122	D1207	D2007	D2009	D1001	D1107/1109/1122	D1207	D2007	D2009	
NS 100	100	59	15	98	83	98	98	98	108	93	108	108	108	
NS 160	160	60	15	128	113	128	128	128	108	93	108	108	108	

* For nominal ranges ≥ 160 °C dimension increases by 36 mm.

Dimensions adjustable angle stem

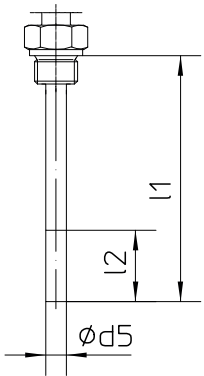


Temperature detecting element diameter d_5 , insertion length l_1 and active length l_2 see order details.

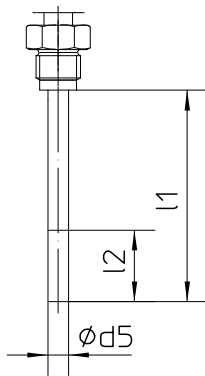
Dimensions (mm)				z^* see order details				
case	d_1	b	g	D1001	D1107/1109/1122	D1207	D2007	D2009
NS 100	100	59	92	83	68	83	83	83
NS 160	160	60	92	83	68	83	83	83

* For nominal ranges ≥ 160 °C dimension increases by 36 mm.

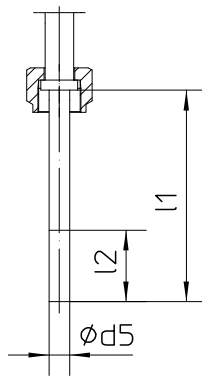
Dimensional drawing of process connections for bottom connection, centre back connection and adjustable angle stem



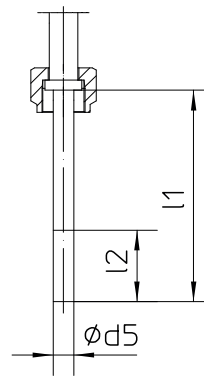
shanks, fixed
G1/2B, G3/4B,
1/2" NPT
D1107/1109/1122



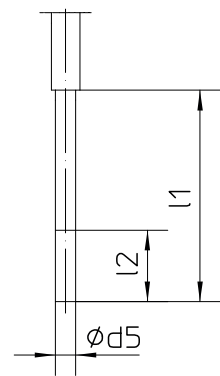
shanks
rotating,
G1/2B
D1207



union nut
G1/2
D2007



union nut
G3/4
D2009



without
screwing
D1001

Gas expansion thermometer

Type series FN....

Order details FN....						
FN2400	case design degree of protection IP 66	bottom connection	NS 100		without liquid filling	
FN3400			NS 160			
FN2600			NS 100		with liquid filling	
FN3600			NS 160			
FN2300		centre back connection	NS 100		without liquid filling	
FN3300			NS 160			
FN2500			NS 100		with liquid filling	
FN3500			NS 160			
FN2310		adjustable angel stem	NS 100		without liquid filling	
FN3310			NS 160			
FN2510			NS 100		with liquid filling	
FN3510			NS 160			
		nominal ranges	measuring ranges			
A2340	standard ranges [°C], accuracy class 1 per EN 13190	-20...40		-10...30		
A2346		-20...60		-10...50		
A2322		-30...50		-20...40		
A2220		-40...40		-30...30		
A2222		-40...60		-30...50		
A2520		0...60		10...50		
A2522		0...80		10...70		
A2524		0...100		10...90		
A2540		0...120		20...100		
A2544		0...160		20...140		
A2548		0...200		20...180		
A2560		0...250		30...220		
A2565		0...300		30...270		
A2627		0...400		50...350		
A2630		0...500		50...450		
A2640		0...600		100...500		
A2650		0...700		100...600		
D1107	process connection	shank, fixed	G1/2 B			
D1109			G3/4 B			
D1122			1/2 NPT			
D1207		shank, rotating	G1/2 B			
D2007		union nut	G1/2			
D2009			G3/4			
D1001		without screwing				
F6	temperaturing detecting element Ø d5	6 mm (l2 ≥ 180 mm) ¹				
F8		8 mm (l2 ≥ 80 mm) ¹				
F10		10 mm (l2 ≥ 50 mm) ¹				
	insertion lenght l1 (mm) ²	D11..	D1207	D2007	D2009	D1001
		shank fixed	shank rotating G1/2 B	union nut G1/2	union nut G3/4	without screwing
...		100	080	089	093	100
...		160	140	126	130	160
...		250	230	186	190	250
...		400	380	276	280	400
...	-	-	426	430	-	
999	deviating length; please specify					

Additional features (to be indicated if required)		
S30	Ex-protection (ATEX) for mechanical devices ³	⊕ II 2G c TX
		⊕ II 2D c TX
R13	window	macrolon with adjustable reference pointer ⁴
T2	marking	on scale (please specify)
T3		fixed reference pointer (please specify)
W1204	calibration certificate	per EN 10204-3.1, 3 measuring points
W1201		per EN 10204-3.1, 5 measuring points
W2673	certificate of measuring equipment for Russian Federation ⁴	

Order code (example): FN2400 - A2524 - D1107 - F6100 - ...

¹ the active length I2 shall reach the media temperature completely. The insertion length I1 should have adequate size.

² standard insertion length to be specified in order code, e.g. Ø d5= 6 mm, I1 = 100 mm: order code F6100

³ within the temperature limits according to Ex instruction XA_005

⁴ not for devices with Ex-protection