

USB pressure transmitter model CPT2500 with model CPA2500 USB adapter and USBsoft2500 software

WIKA data sheet CT 05.01

Applications

- Calibration service companies and service industry
- Quality assurance
- Recording and monitoring of pressure processes

Special features

- Recording interval can be set from 1 ms ... 10 s
- Measuring ranges from 0 ... 100 mbar to 0 ... 1,000 bar
- Accuracy: 0.2 %, optional 0.1 % (incl. calibration certificate)
- No external voltage supply required
- USBsoft2500 software for configuration, and the recording and analysis of measured values



Model CPT2500 USB pressure transmitter with model CPA2500 USB adapter

Description

The CPT2500 USB pressure transmitter is suitable for connection to any PC with a USB port, via the CPA2500 USB adapter.

For the USB adapter there are stainless steel pressure transmitters available with measuring ranges up to 1,000 bar. The USB adapter automatically detects the measuring range of the currently connected pressure transmitter and ensures a highly accurate pressure measurement.

The USBsoft2500 software is delivered as standard with the USB adapter. With it, all settings for recording the pressure process can be made. The recorded measured values can be graphically displayed and evaluated.

The interval for recording can be set in the range of 1 ms ... 10 s. With a recording interval of more than 5 ms the following data is recorded in addition to the current measured

value:

- the mean value over the recording interval.
- the maximum and minimum value during the recording interval.

Thus pressure peaks within the overall recording interval can be very easily identified.

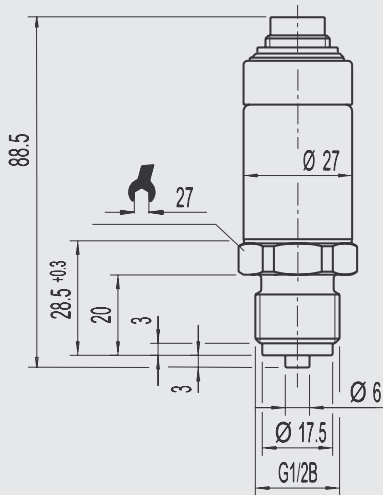
It is also possible to set start and stop conditions for the recording. In this way it is possible to detect pressure peaks with a resolution of up to 1 ms.

The CPT2500 is thus very well suited to all applications where, over a limited timespan, pressure processes must be recorded and analysed with high resolution.

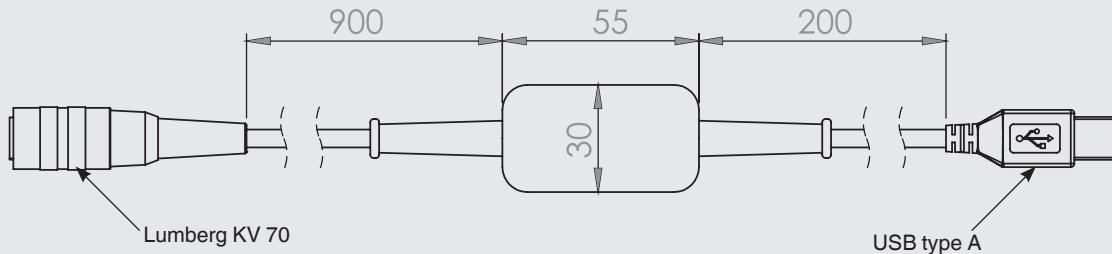
For easy transport and safe storage, the USB adapter is delivered in a compact transport case, which can also hold one or more pressure transmitters.

Dimensions in mm

USB pressure transmitter model CPT2500



USB adapter model CPA2500



Specifications Model CPT2500

USB pressure transmitter model CPT2500

Measuring range	bar	0.1	0.16	0.25	0.4	0.6	
Overpressure limit	bar	1	1.5	2	2	4	
Burst pressure	bar	2	2	2.4	2.4	4.8	
Resolution	mbar	0.1					
Measuring range	bar	1	1.6	2.5	4	6	
Overpressure limit	bar	5	10	10	17	35	
Burst pressure	bar	6	12	12	20.5	42	
Resolution	mbar	1					
Measuring range	bar	10	16	25	40	60	
Overpressure limit	bar	35	80	50	80	120	
Burst pressure	bar	42	96	96	400	550	
Resolution	bar	0.01					
Measuring range	bar	100	160	250	400	600	1,000
Overpressure limit	bar	200	320	500	800	1,200	1,500
Burst pressure	bar	800	1,000	1,200	1,700	2,400	3,000
Resolution	bar	0.1					
Type of pressure		Relative pressure (absolute pressure from 0.25 ... 25 bar abs and vacuum on request)					

USB pressure transmitter model CPT2500

Instrument

Accuracy	0.2 % FS \pm 1 digit at a reference temperature of 20 °C; optional: 0.1 % FS
Pressure connection	G ½ (different connection adapters on request)
Pressure units	mbar, bar, Pa, kPa, MPa, mmHg, psi, inHg (0 °C), inHg (60 °F), mWs; changeable depending on selected sensor
Dimensions in mm	see technical drawings
Weight	approx. 200 g

Material

Wetted parts	Stainless steel or Elgiloy®, (> 25 bar with additional NBR seal)
Case	Stainless steel
Internal transmission fluid	Synthetic oil (only for measuring ranges up to 25 bar)

Temperature coefficients

Mean TC zero point	\leq 0.2 % / 10 K (< 0.4 for measuring ranges \leq 0.25 bar)
Mean TC of span	\leq 0.2 % / 10 K

Permissible ambient conditions

Medium temperature	-25 ... +100 °C
Operating temperature	-20 ... +80 °C
Storage temperature	-40 ... +80 °C
Compensated temperature range	0 ... 80 °C
Relative humidity	0 ... 95 % r.H. (non-condensing)

USB adapter model CPA2500

Communication

PC connection	Standard USB connector (type A)
Transmitter connection	Circular connector, 7-pin, M16 x 0.75
Recording interval	1 ms ... 10 s, adjustable via software
Measuring rate	1,000 measurements/sec
Recording options	selectable start/stop conditions, pretrigger, stop-delay

Voltage supply

Power supply	Supply via USB port
--------------	---------------------

Permissible ambient conditions

Operating temperature	-25 ... +50 °C
Storage temperature	-25 ... +70 °C
Relative humidity	0 ... 95 % r.H. (non-condensing)

Instrument

Dimensions in mm	see technical drawings
Weight	approx. 120 g

Approvals and certificates

CE conformity for the model CPT2500 USB pressure transmitter

Pressure equipment directive	97/23/EC, module A, pressure accessory
EMC directive	2004/108/EC, EN 61326 Emission (group 1, class B) and interference immunity (commercial applications, laboratories, service centres and workshops)

CE conformity for the model CPA2500 USB adapter

EMC directive	2004/108/EC, EN 61326 Emission (group 1, class B) and interference immunity (controlled electromagnetic environment)
---------------	--

Certificate

Calibration	3.1 calibration certificate per DIN EN 10204 optional: DKD/DakKS calibration certificate
-------------	---

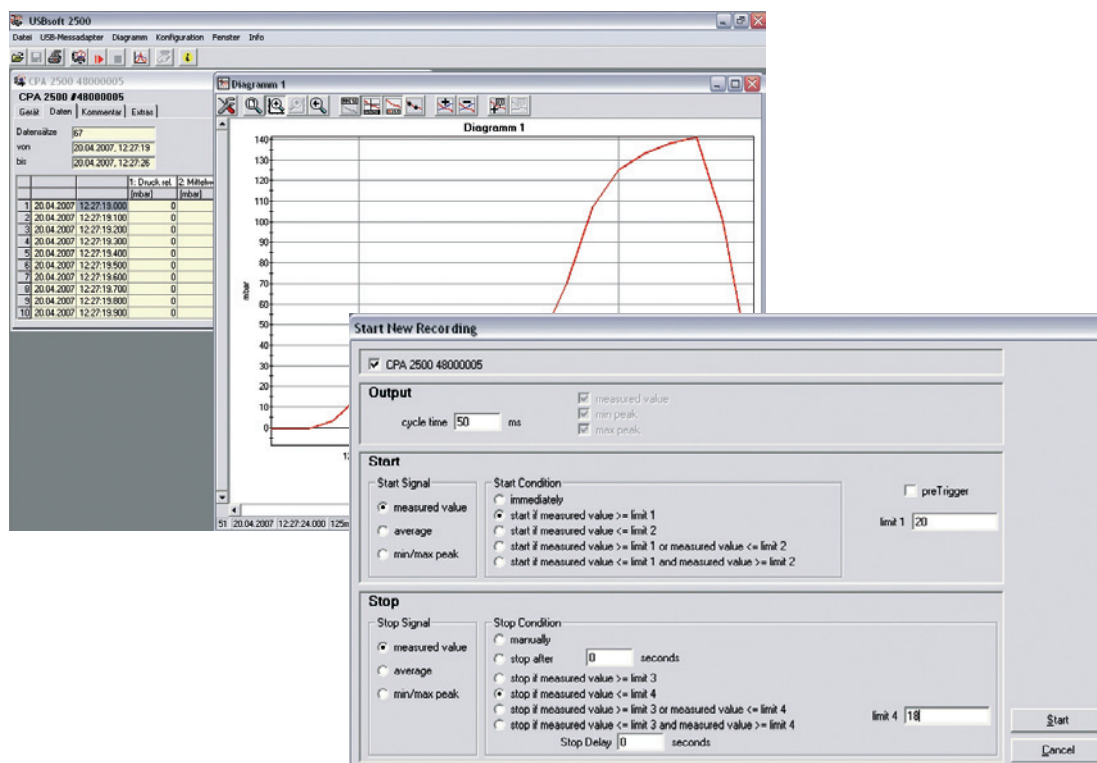
USBsoft2500 configuration and evaluation software

The USBsoft2500 software is required for the operation of the model CPT2500 USB pressure transmitter in connection with the model CPA2500 USB adapter. This enables the configuration of the pressure transmitter as well as the selection of the various recording settings.

The software also allows different start/stop conditions to be defined, in order to easily identify, for example, a single pressure peak.

Graphical evaluation of the measured data (including mean, min- and max-values), in addition the measured data can also be exported to other software.

Several series of measurements can be displayed in a single chart.



System requirements

- CPU with 1 GHz
- At least 20 MB free hard disc space
- CD-ROM drive
- 256 MB RAM
- Microsoft® Windows® 98 SE, 2000, XP, Vista or Windows® 7
- Mouse
- One free USB port

Performance data

- Recording interval of 1 ms ... 10 s
- Data export to other programs e.g. Excel®
- Languages: German/English/Spanish/Czech

Windows is a registered trademark of Microsoft Corporation in the United States and other countries.

Scope of delivery

- USB pressure transmitter model CPT2500
- USB adapter model CPA2500
- Software USBsoft2500
- Transport case
- Operating instructions
- 3.1 calibration certificate per DIN EN 10204

Options

- DKD/DAkkS certified accuracy of 0.2 % or 0.1 %

Accessories

- Various pressure adapters
- "Minimess" quick-connect process connection system
- Additional pressure sensors



Transport case with USB pressure transmitter and USB adapter

Ordering information

Model / Unit / Measuring range / Accuracy / Process connection / Extension cable / Type of certificate / Accessories / Additional order information

© 2008 WIKA Alexander Wiegand SE & Co. KG, all rights reserved.
The specifications given in this document represent the state of engineering at the time of publishing.
We reserve the right to make modifications to the specifications and materials.

WIKA data sheet CT 05.01 · 12/2011

Page 5 of 5



WIKAL
WIKA Alexander Wiegand SE & Co. KG
Alexander-Wiegand-Straße 30
63911 Klingenberg/Germany
Tel. (+49) 9372/132-0
Fax (+49) 9372/132-406
E-mail info@wika.de
www.wika.de