

# Pressure transmitter for refrigeration and HVAC applications Model AC-1

WIKA data sheet PE 81.46



## Applications

- Refrigeration plants
- Heat pumps
- Chillers

## Special features

- Wetted parts made of brass, CR70 (chloroprene) and ceramic
- Resistant against the most important refrigerants
- Special case design for the best possible condensation tightness



Fig. left: Model AC-1 with M12 x 1  
Fig. centre: Model AC-1 with Metri Pack 150  
Fig. right: Model AC-1 with cable outlet

## Description

### Refrigeration and HVAC applications

Due to its excellent resistance against the most commonly used refrigerants the AC-1 pressure transmitter with integrated ceramic thick-film sensor is optimally suited for refrigeration and HVAC applications.

### Excellent performance and quality

The AC-1 unites innovative design and highest demands on quality. The instrument has successfully passed a test process that is specially adapted to the harsh requirements of the refrigeration and HVAC market.

### Attractive price/performance ratio

With its highly flexible product and manufacturing concept the AC-1 is convincing thanks to its high availability, even in large quantities, and that at an attractive price/performance ratio.

# Specifications

## Model AC-1

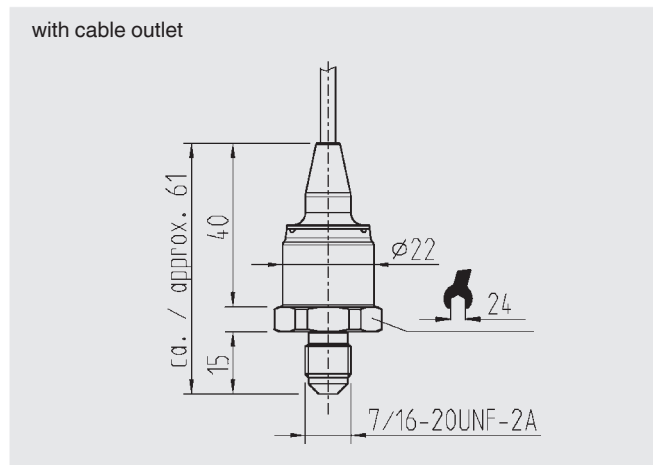
Measuring range	bar	7	10	16	25	60
Overpressure safety	bar	20	20	40	40	100
Burst pressure	bar	25	25	50	50	120
All measuring ranges also available from -1 bar. {Vacuum, gauge pressure, compound ranges are available}						
Materials	<ul style="list-style-type: none"> <li>■ Wetted parts Brass, ceramic Al<sub>2</sub>O<sub>3</sub> 96 % O-ring: CR70 (chloroprene)</li> <li>Resistance To refrigerants R12, R22, R134a, R404a, R407c, R410a, R502, R507</li> <li>■ Case Brass</li> <li>■ Electrical connection Highly resistive, fibreglass-enforced plastic (PBT GF 30)</li> </ul>					
		Signal output		Power supply U <sub>B</sub>	Maximum load R <sub>A</sub>	
		4 ... 20 mA, 2-wire		DC 7 ... 30 V	R <sub>A</sub> ≤ (U <sub>B</sub> - 7 V) / 0.02 A	
		0 ... 10 V, 3-wire		DC 14 ... 30 V	R <sub>A</sub> > 10 kOhm	
		0.5 ... 4.5 V, ratiometric		DC 5 V ± 0.5 V	R <sub>A</sub> > 4.5 kOhm	
Settling time	ms	≤ 5				
Insulation voltage	DC	500 V				
Accuracy	% of span	≤ 2 <sup>1)</sup>				
Long-term stability	% of span	≤ 0.3 / year (at reference conditions)				
Permissible temperature range						
■ Medium		-40 ... +100 °C	-40 ... +212 °F			
■ Ambient		-25 ... +80 °C	-13 ... +176 °F			
■ Storage		-25 ... +80 °C	-13 ... +176 °F			
Rated temperature range		-25 ... +80 °C	-13 ... +176 °F			
Temperature coefficients within rated temperature range						
■ Mean TC of zero	% of span	typ. ≤ 0.5 / 10 K				
■ Mean TC of span	% of span	≤ 0.3 / 10 K				
Approvals	cULus (recognition)					
CE conformity						
■ EMC directive	2004/108/EEC, EN 61 326 Emission (Group 1, Class B) and Immunity (industrial locations)					
Short-circuit protection	S <sub>+</sub> towards 0V					
Reverse polarity protection	U <sub>B</sub> towards 0V					
Overvoltage protection	DC	36 V				
Weight	kg	approx. 0.08				

{ } Items in curved brackets are optional extras for additional price

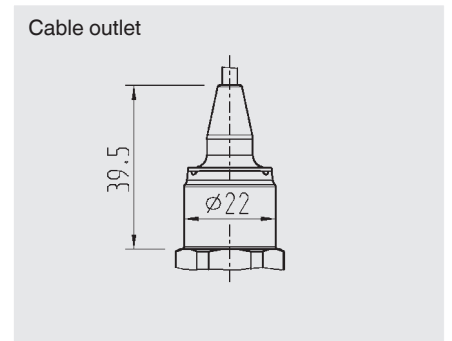
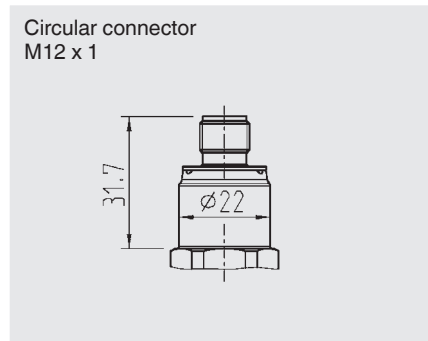
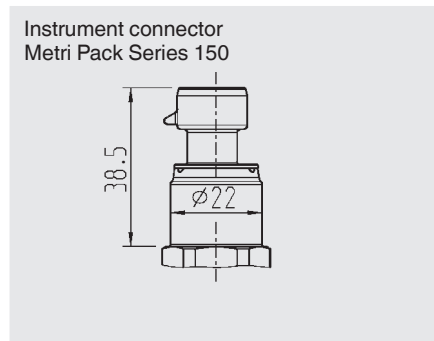
1) Including non-linearity, hysteresis, zero-point and full scale deviations (corresponds to measured error per IEC 61298-2).

## Dimensions in mm

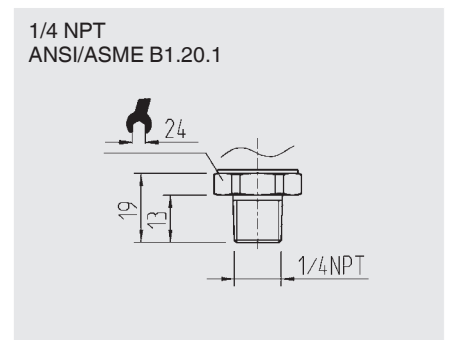
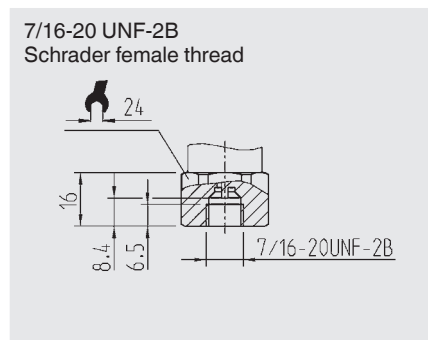
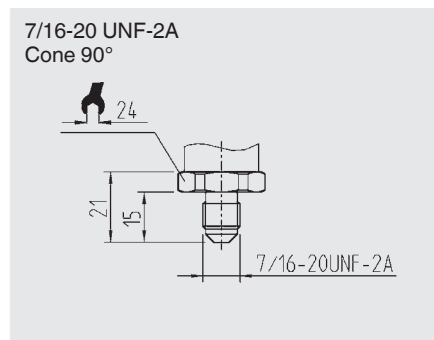
### Pressure transmitter



### Electrical connections


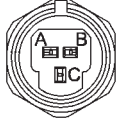


### Process connections



For information on tapped holes and welding sockets, see Technical Information IN 00.14 at [www.wika.de](http://www.wika.de).

## Electrical connections

	Circular connector M12 x 1, 4-pin			Instrument connector Metri Pack series 150, 3-pin			Cable outlet, 1 m / 2 m		
									
2-wire	U <sub>B</sub> = 1	0V = 3		U <sub>B</sub> = B	0V = A		U <sub>B</sub> = brown	0V = green	
3-wire	U <sub>B</sub> = 1	0V = 3	S <sub>+</sub> = 4	U <sub>B</sub> = B	0V = A	S <sub>+</sub> = C	U <sub>B</sub> = brown	0V = green	S <sub>+</sub> = white
Wire cross-section							3 x 0.14 mm <sup>2</sup>		
Cable diameter							3.2 mm		
Ingress protection per IEC 60529	IP 67			IP 67			IP 69K		
	The stated ingress protection only applies when plugged-in using mating connectors that have the appropriate ingress protection.								

other pin assignments on request

