

All stainless steel pressure gauges with Bourdon tube, with and without glycerine filling

Accuracy class 1.0

Nominal sizes ND 100

Connection position bottom, radial or back, eccentric

License:



Germanischer Lloyd



Description

The all stainless steel pressure gauges are ideal for the hard conditions and the resulting high demands on pressure measurement in production facilities in chemical industry and other comparable branches. Resistance to aggressive media and environments is achieved by using highgrade materials such as stainless steel both for the measuring system and the case.

The glycerin-filled version is damped for wear-protection should pulsating pressures and mechanical vibrations occur. The measuring system is of accuracy class 1.0, has overrange protection amounting to 1.3 times the max. rating and can be loaded up to the full scale value.

A series of installation possibilities enables adaption to special requirements and installation conditions.

Features

- o Stainless steel case and measuring system
- o Protection IP 65
- o Accuracy class 1.0
- o For use up to full scale value
- o Overrange protection 1.3 times max.
- o Case with or without filling

Measuring ranges





0 ... 0.6 bar to 0 ... 1000 bar

Applications

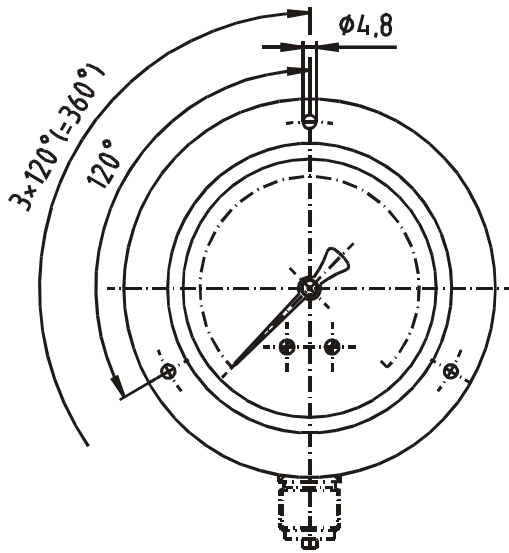
Chemical and petrochemical industry;
Foodstuffs and beverages industry;
Plastics and paper industry;
Machine and apparatus construction

Models: P2324, P2325, P2328, P2329

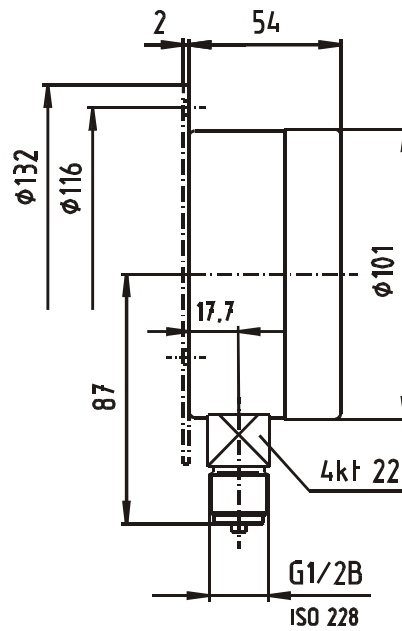
Technical data

Models	P2324	P2325	P2328	P2329	Options
Nominal size	100				
Symbol					
Accuracy class	1.0 to EN 837-1				
Ranges	0 ... 0.6 bar to 0 ... 1000 bar negative gauge pressure or negative/positive gauge pressure				
Application	Constant load: up to full scale value Alternating load: up to 0.9 x fullscale value				
Overpressure protection	1.3 x , short-time				1.5 to 2 x max. rating depending on range
Liquid filling	none	Glycerine	none	Glycerine	
Case	Stainless steel 1.4301 , bare Pressure relief opening (sealed with rubber cover)				Stainless steel 1.4301, polished,
Bezel	Stainless steel 1.4301				
Mounting	without				Front flange, ss 1.4301 polished Rear flange stainless steel 1.4301, blank Triangular bezel, ss polished with U-clamp, steel zinc plated
Window	Laminated safety glass				Plexiglass
Dial	Aluminium, white, scale and imprint black				Dual scale
Pointer	Aluminium, black				microadjustable pointer, red Al marker pointer on dial marker pointer on plexiglass with key adjustment or fixed knob
Movement	Stainless steel				plastic gearing and bearing; oil-damped pointer spindle (Manocont)
Measuring element	Stainless steel 316 L (Bourdon tube up to 60 bar, helical tube from 100 bar)				Monel
Connection - position - thread	Stainless steel 316 L bottom		back eccentric		Monel Other threads on request, protective cap for thread
Temperatures - Medium - Ambient	Tmin. -20°C, Tmax. 100°C Tmin. -25°C, Tmax. 60°C				media temp. 200°C on request
Temperature drift	0.4%/10K if deviation from normal temperature 20°C				
Orifice	without				Ø 0,3; Ø 0,4; Ø 0,8
Protection	IP 65 to EN 60 529/IEC 529				
Weight	0.6 kg	1.0 kg	0.6 kg	1.0 kg	

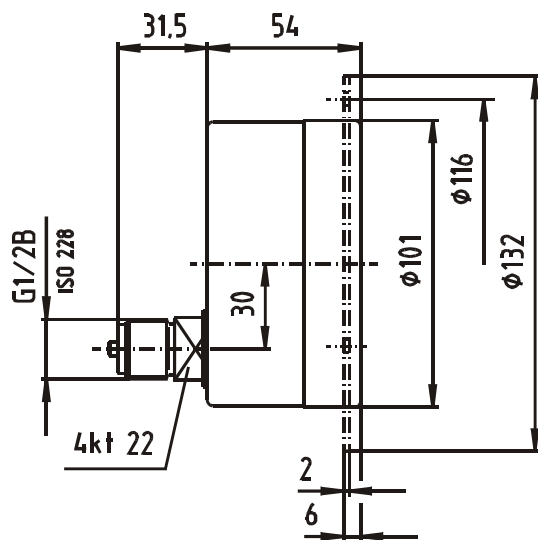
Dimensions



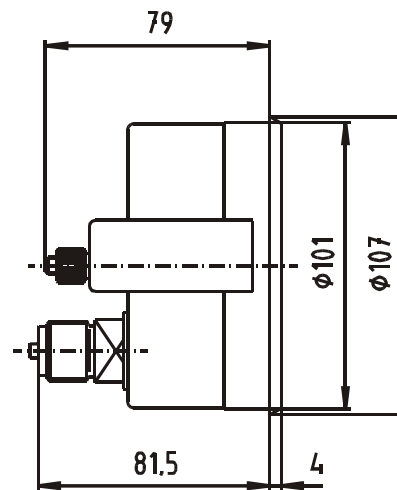
Model P2324 / P2325
hole pattern for front
and rear flanges



Model P2324 / P2325
rear flange



Model P2328 / P2329
front flange



Model P2328 / P2329
with triangular bezel
and U-clamp

Modifications reserved