

Heavy Duty pressure gauges

Nominal size ND 148 mm (4.5 inch)

Connection position bottom, radial

Accuracy 1.0 % ASME B40



Description

Pressure gauges of the comprehensive Heavy Duty range are manufactured on the basis of the modular construction system which brings advantages of quality and price. The gauges can be used in all applications where particular importance is attached to measuring accuracy, reproducibility and long-term stability. They can be used with liquid or gaseous media which are not highly viscous and which do not attack copper alloys or crystallize. A wide range of options enables the user to adapt the gauges to his own special requirements.

All Heavy Duty pressure gauges comply with general international recommendations for measuring systems and take requirements for specific applications and technical standards into consideration.

Features

- o Inexpensive and reliable due
- o Accuracy class 1,0 % ASME B40
- o Stainless steel measuring system
- o Application up to end of scale value
- o Overload capacity 1.1 x
- o Protection to IP 65

Ranges

min. 0....1400 bar (20.000 psi)


max. 0....4000 bar (60.000 psi)

Applications

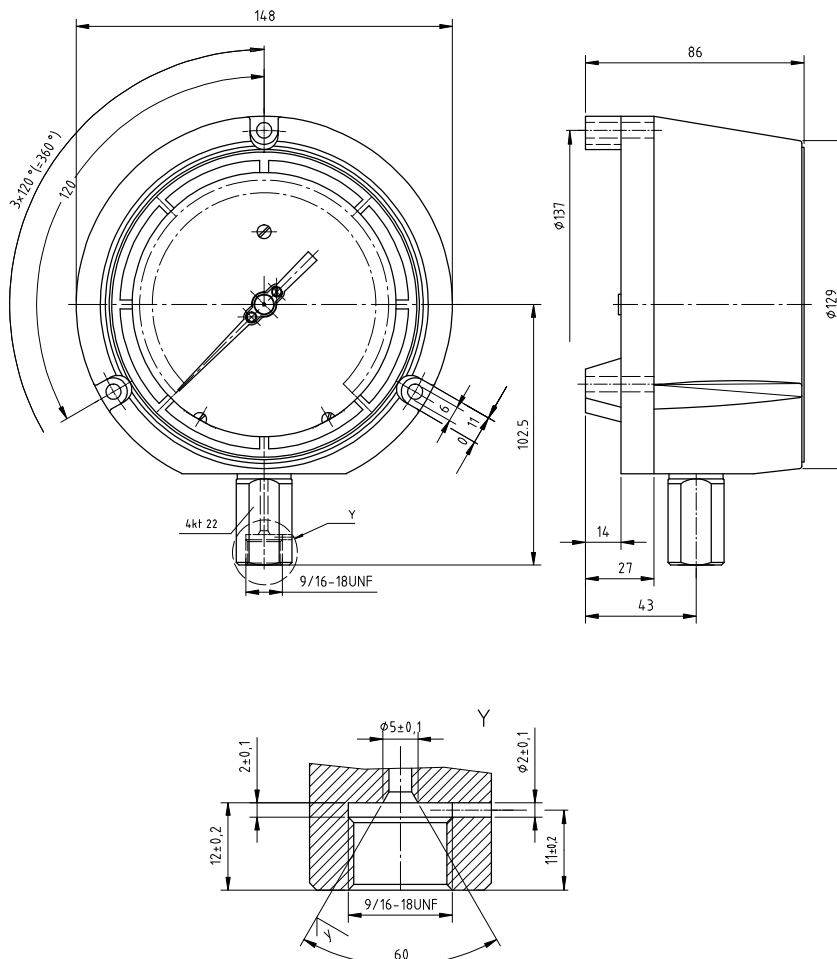
Mechanical engineering,
apparatus construction,
water cutting machines,
high pressure test benches and pumps.

Model: P1718

Technical data

Model	P1718	Option
Size	148 mm (4.5 inch)	
Symbol		
Accuracy	1,0 % acc. ASME B40	
Ranges	min 0...1400 bar (20.000 psi) max 0...4000 bar (60.000 psi) pressure	
Applications	Constant load: 3/4 scale value Alternating load: 2/3 of full scale value Short-time: 1.1 x full scale value	
Socket	Stainless steel (AISI 316 L).	
Thread	9/16"-18UNF 3B 60°K acc. ANSI B1	M16x1.5 60° K
Connection	Bottom radial	
Measuring element	< 40000 psi 1.4571 316TL > 40000 psi Nispan	1.4542
Movement	Stainless steel	
Dial	Aluminium, white with black imprint	
Pointer	Aluminium, black, with micro-adjustment	
Case	Phenol black, full blow out back with pressure relief opening	
Window	Safety glass	
Bezel	Phenol black, threaded	
Temperatures		
Medium	T _{min} : -20°C; T _{max} : 80°C	
Ambient	T _{min} : -25°C; T _{max} : 60°C	
Temperature drift	0,4 % / 10K if deviation from normal temperature 20°C	
Protection	IP 65 acc. to EN 60529 / IEC 529	

Dimensions



Modifications reserved