

All stainless steel safety gauges for ultra high pressures

with magnetic snap-action contacts
or inductive alarm contacts

Nominal sizes ND 160



Description

The ultra high pressure gauge programme covers ranges of 0 ... 2500 bar to 0 ... 10000 bar. The construction principle has shown up well for years. The gauges are produced with alarm contacts in the accuracy class 1.0. Due to this alarm contact it is not only possible to achieve an extremely reliable control of pressures in various production equipments or in the energy production, but also these indexing mechanisms directly integrated in the high pressure gauges make the controlling of pressures in almost all conceivable technical facilities possible.

Which kind of contact is to be taken depends on the conditions of application and requirements on the indexing precision as well as specific plants.

The magnetic snap action contact is suitable for industrial conditions requiring a higher indexing tolerance and is a cost-effective solution due to its relatively high rupturing capacity. The contactless working inductive contact is used in conjunction with a transistor relay. It has a high indexing precision and is also suitable for use in potentially explosive rooms with consideration of relevant guidelines.

Special features

- o Measuring system of corrosion-resistant materials
- o Corrosion resistant
- o Rugged construction
- o Fulfils highest safety requirements
- o Solid-front between measuring system and dial
- o Up to four alarm contacts possible
- o Dampening by liquid filling of case

Measuring ranges

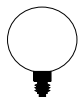
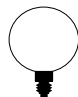
0 ... 2500 bar to 0 ... 10000 bar

Applications

Processing technology,
research and development, machine building,
high pressure test benches, burst test benches
liquid jet cutting equipment, ballistics

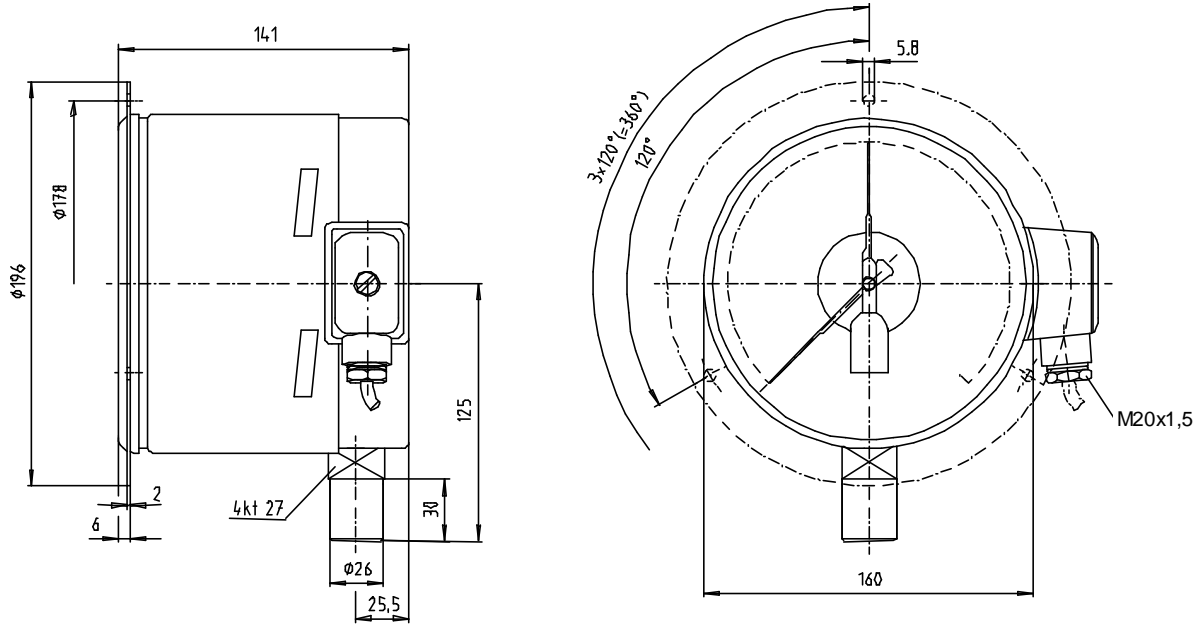
Models: P1711, P1713

Technical Data

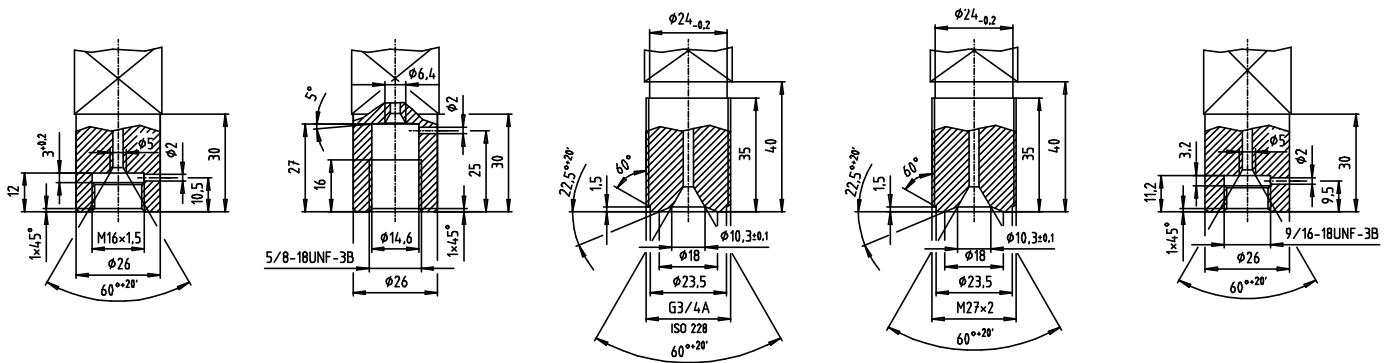
Models	P1711	P1713	Options
Nominal size	160		
Symbol			
Contact type	Magnetic-snap-action	Inductive-alarm	
Accuracy class	1.0 to EN 837-1		
Ranges	0 ... 2500; 0...4000; 0...6000; 0...7000 bar; 0...10000 bar		
Applications	3/4 full scale value		
Overrange protection	1.05- full scale value		
Case	Stainless steel 1.4301 with blow-out back, solid front		
Bezel	Stainless steel 1.4301 bayonet ring		
Mounting	Front flange, Stainless steel polished		gauge holder
Window	Laminated safety glass		
Dial	Aluminium white, black imprint		
Pointer	Aluminium, black		
Movement	Stainless steel		
Electrical connection	Cable connector right hand side. 4 screw terminals + PE, cross section of the conducting wire 2.5 mm ² Screw type conduit fitting M20x1.5, outgoing downwards		
Measuring element	Rust-free special material		
Pressure connection	Cr-Ni steel		
- position	radial bottom		
- thread	M 16 x 1.5 female with con 60° or 5/8-18 UNF-3B female with con 60°;(Autoclave Engineers); 9/16-18 UNF-3B female with con 60°;		Max. 4000 bar M 27 x 2 for sealing lens with cone 60°; G 3/4 A to ISO 228/1 with cone 60°
Liquid filling	none Polybuten		Silicone M50
Protection	IP 65 EN 60529/IEC 529		
Temperatures			
Medium	Tmin. -20°C, Tmax. 100°C		
- Ambient	Tmin. -25°C, Tmax. 60°C		
Weight approx.	2.700 kg	4.300 kg	

see data sheet DE 1231 and DE 1230 for electrical data

Dimensions



Thread connections for ultra high pressure gauges :



Modifications reserved