

Thermowell with retaining screw

For thermometers with plain stem

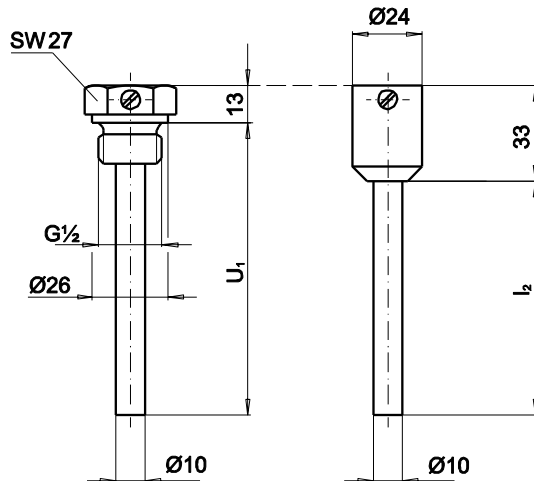


Technical Data

Model	TW968	TW988	TW998	TW969	TW999
Material	Steel	Brass	Stainless steel	Steel	Stainless steel
Thermometer connection	Welding neck 18x8mm / connection plain				
Version	For screwing-in			For welding-in	
Bore size	Suitable for stem diameter 8mm				
Max. pressure (statical) ¹⁾	20 bar	6 bar	25 bar	20 bar	25 bar
Max. process temperature	300°C	160°C	400°C	300°C	400°C

¹⁾ Rating depends on the parameters process medium, process pressure and temperature, flow rate and design of thermowell.

Dimensions



Correlation thermowell – thermometer for standard length

Thermometer length l_1	Insertion length	
	For screwing-in U_1	For welding-in l_2
45	45	---
63	63	43
100	100	80
160	160	140
200	200	180
	$l_1 = U_1$	$l_1 = l_2 + 20\text{mm}$

Model: TW968, TW988, TW998, TW969, TW999